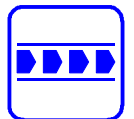
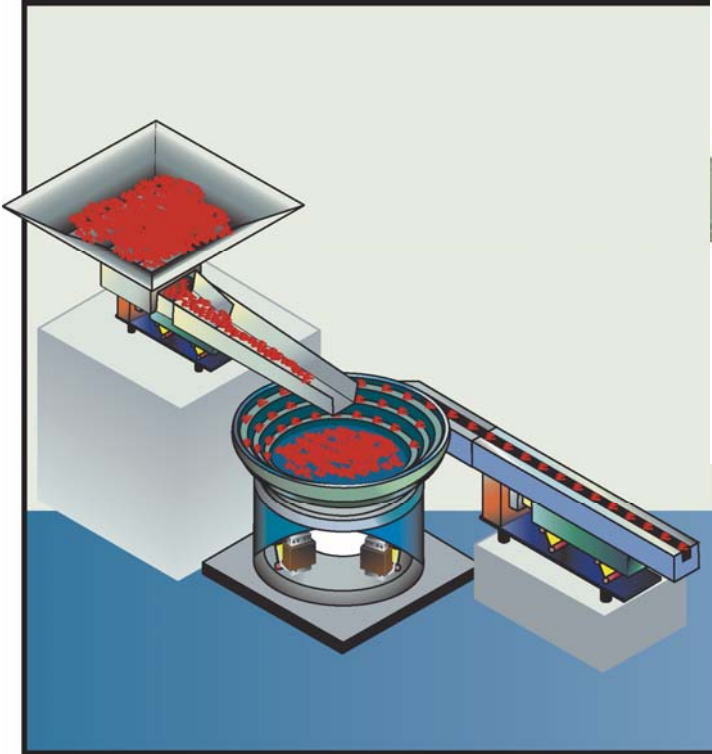




REOVIB SMART System Phase-angle Controller For Vibratory Feeders



- 110V or 240 V supplies $\pm 10\%$, 50/60 Hz
- Selectable vibrating frequency 50/100 Hz or 60/120 Hz
- Setpoint via 10 k Ω potentiometer, 0...+10 V or 0 (4)...20 mA
- Enable input 24 VDC or contact
- Integrated track control
- 2 extension modules can be connected to the basic module
- Mounting to a 35 mm DIN rail

REO-USA, Inc.
3250 North Post Road, Suite 132
Indianapolis, IN 46226
Phone (317) 899-1395 Fax (317) 899-1396
Website: www.reo-usa.com Email: info@reo-usa.com



REOVIB SMART System

Phase-angle Controller For Vibratory Feeders

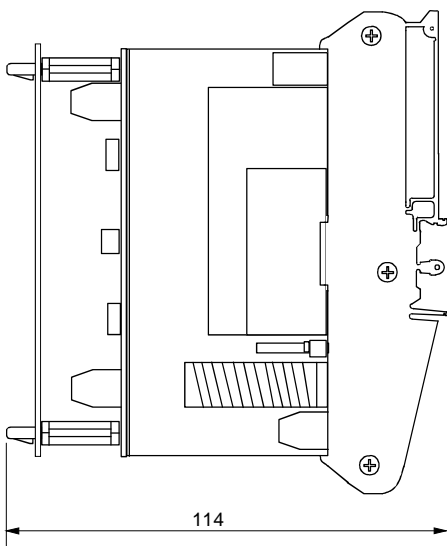
The REOVIB SMART System is a cost effective triac modular controller for use with vibratory feeding systems. The basic module is fitted with the input terminals for the main power supply. It can be extended by two further modules, which are mounted using plug-in connectors. Each module includes the connection terminals for the feeder and the relevant setting possibilities. The basic module includes an EMC input filter for interference suppression and the supply voltage for the electronic control.

All functions for setting up a complete feeder system (consisting of a linear feeder, a bowl feeder and hopper) are included in the modules. Each module has a sensor input for a 24 VDC PNP sensor, a track control an enable input and a status relay. The sensor function is invertible. The setpoint can be adjusted with an external 0...+10 VDC or 0(4)...20 mA signal or a 10 kΩ potentiometer.

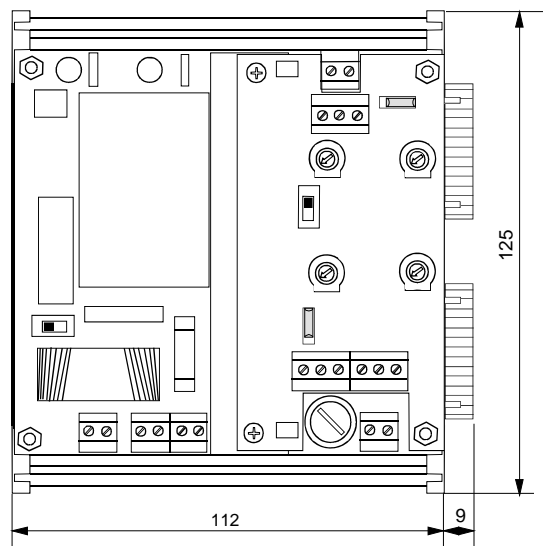
The control characteristics can be adjusted to suit the feeder unit by using the trimmers Umin/Umax. To link several modules, it is possible to enable the downstream modules by a jumper contact.

The unit mounts to a 35 mm DIN rail.

Type	REOVIB SMART-System/BM
ID-No.:	604320 Basic Module
Type	REOVIB SMART-System/EM
ID-No.:	604330 Extension module
Supply voltage:	switchable 110 V ± 10 %, 50/60 Hz 240 V ± 10 %, 50/60 Hz
Output voltage:	20...100 V 40...210 V
Output current:	Max. 8 A per module Total current 12 A, 6 per expansion
Output frequency:	50/100 Hz (50 Hz supply) 60/120 Hz (60 Hz supply)
Setpoint:	External with 10 kΩ potentiometer, 0...+10 VDC or 0(4)...20 mA
Enable signal:	24 VDC or contact
Track control: 1 x per module	Internal supply 24 VDC for PNP sensor Adjustable delay
Status relay:	Make contact (max. 250 V, 1 A)
Operating temperature:	0...+45 °C
Protection class:	IP 00



604320 Basic Module



604330 Extension module

