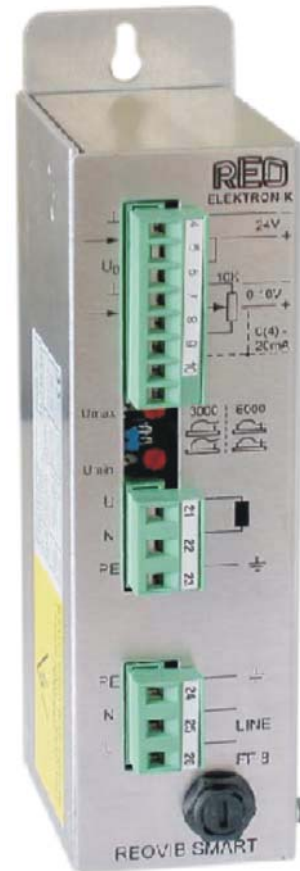
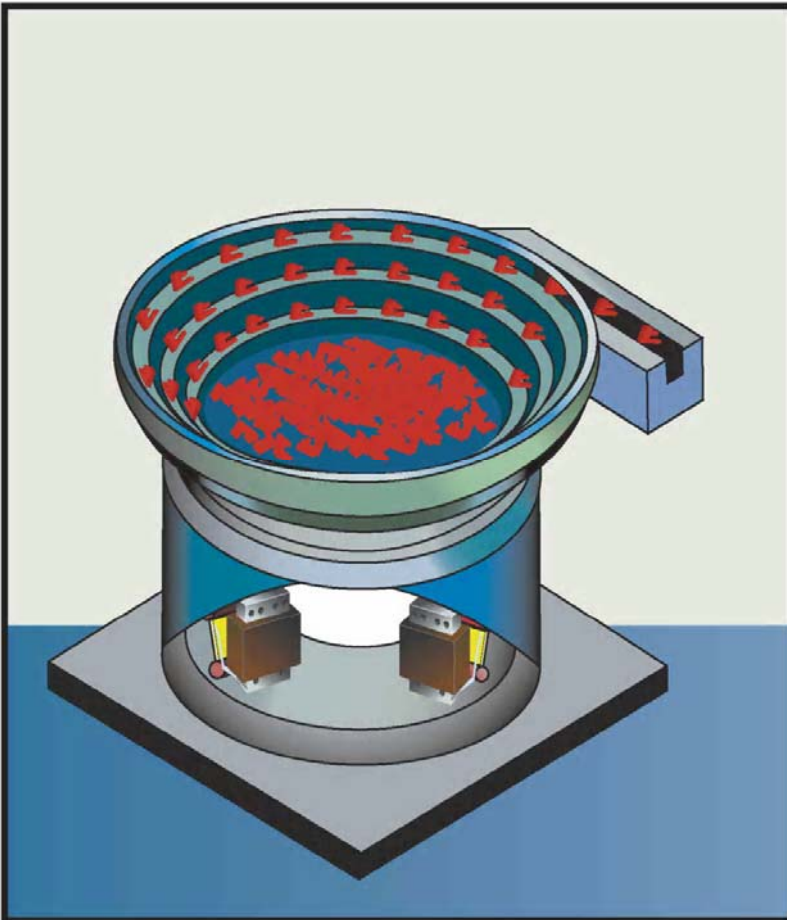


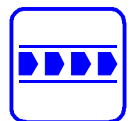
# REO

REO-USA  
REOVIB T1

## Phase-angle Controller For Vibratory Feeders



- Vibrating frequency 50/100 Hz or 60/120 Hz
- Setpoint via potentiometer 10 k $\Omega$ , 0...+10 V or 0(4)...20 mA
- Enable input 24 VDC or contact
- Input and output cables
- IP 20



REO-USA, Inc.  
3250 North Post Road, Suite 132  
Indianapolis, IN 46226  
Phone (317) 899-1395 Fax (317) 899-1396  
Website: [www.reo-usa.com](http://www.reo-usa.com) Email: [info@reo-usa.com](mailto:info@reo-usa.com)



REOVIB FeedMaster

# REOVIB T1

## Phase-angle Controller For Vibratory Feeders

REOVIB T1 is a cost-effective controller for bowl, hopper and linear feeders. The unit contains an EMC filter and a fuse for protecting the semiconductor. An enable input is provided for stopping/starting the unit, using an external contact or a 24 VDC signal. Two internal trimmers Umin/Umax can be adjusted so that the control potentiometer setting is linear for all types of feeders.

The setpoint can be adjusted with an external 0...+10 VDC or 0...20 mA signal or a 10 kΩ potentiometer.

Throughput can also be adjusted by using the potentiometer provided.

The controller designed for mounting onto a back panel and connections made to terminals.

Type	REOVIB T1
ID-No.: 604302	115 V 240 V (Switchable)
Input voltage:	115 V ± 10 % 240 V ± 10 %
Output voltage:	20...100 V 40...210 V
Output current:	max. 6 A
Output frequency:	50/100 Hz (50 Hz supply) 60/120 Hz (60 Hz supply)
Setpoint:	10 kΩ potentiometer 0...10 VDC or 0...20 mA
Enable signal:	24 VDC or contact
Operating temperature:	0...45 °C
Protection class:	IP 20

