

# Compact Braking Resistors

1000 – 4000 W, DB / 10 – 40 kW, KB

REOHM

Series BW 150  
Type BW 155/S...  
Type BW 155/FK...

## Applications:

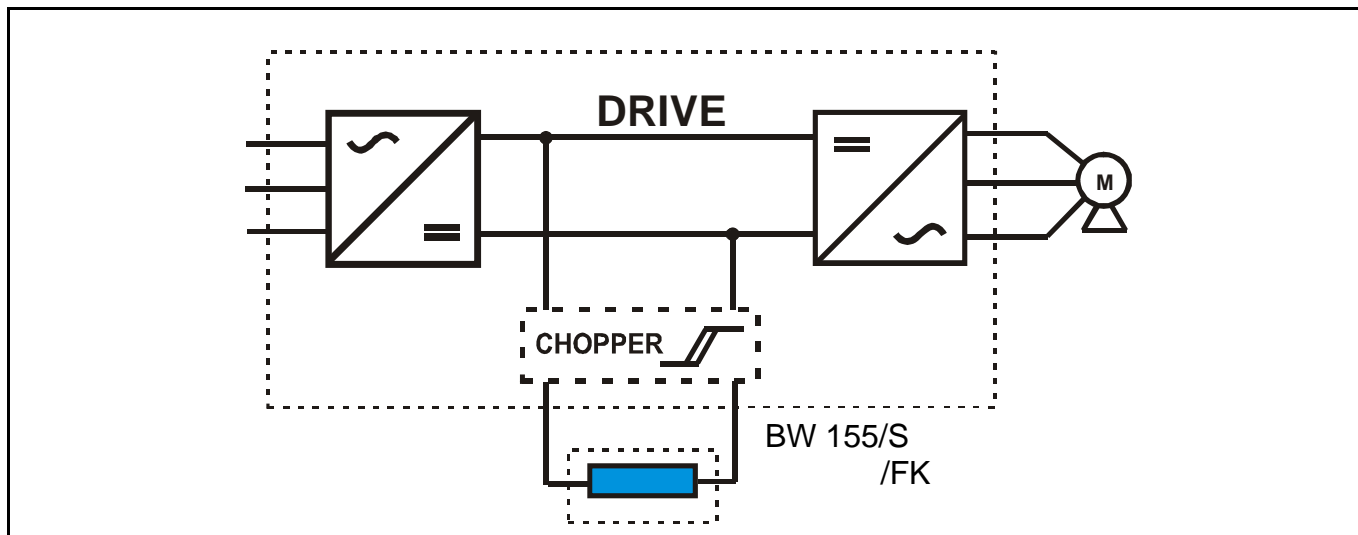
Braking resistors for variable frequency drives.  
Inverters and drive motors with a dynamic load that requires quick stopping.

- Elevators
- Cranes
- High speed machines



Protection IP 20 (BW 155/FK) <b>with</b> cooling IP 65 (BW 155/S) <b>without</b> cooling	Test voltage 2.5 kV AC
Maximum temperature > 300 °C	Ambient temperature -10...+40 °C

## Circuit example



## Benefits:

- Decelerating a load with large inertia
- Increase the control torque of the inverter
- For frequently repeated ON/OFF cycles
- Compact construction
- Easy installation
- Suitable for the use with any frequency drive
- Compact design
- Continuous power: Max. 40kw
- Protection
- Dielectric strength
- High temperature wire
- CE Marked
- DIN 41 480 compliant

### Technical data

Type With cooling	Resistance values R [Ohm]	Continuous power P P [W]	Max. Operating voltage U [V]
BW 155 / 1000 /S ...	20 - 350	1000	900
BW 155 / 1200 /S ...	15 - 300	1200	900
BW 155 / 1500 /S ...	12 - 250	1500	900
BW 155 / 2000 /S ...	8 - 200	2000	900
Type Without cooling	Resistance values R [Ohm]	Continuous power P P [W]	Max. Operating voltage U [V]
BW 155 / 1000 /FK ...	20 - 350	2000	900
BW 155 / 1200 /FK ...	15 - 300	2400	900
BW 155 / 1500 /FK ...	12 - 250	3000	900
BW 155 / 2000 /FK ...	8 - 200	4000	900

Other power ratings on request

	<p><b>Maximum energy with minimum space.</b></p> <p>This unit is very compact with high power.</p> <p>Suitable for IP 65 applications without fan assembled.</p> <p>Capacity can be doubled by fan that is provided, IP 20 protection.</p>	
--	--	--

**Load diagram**

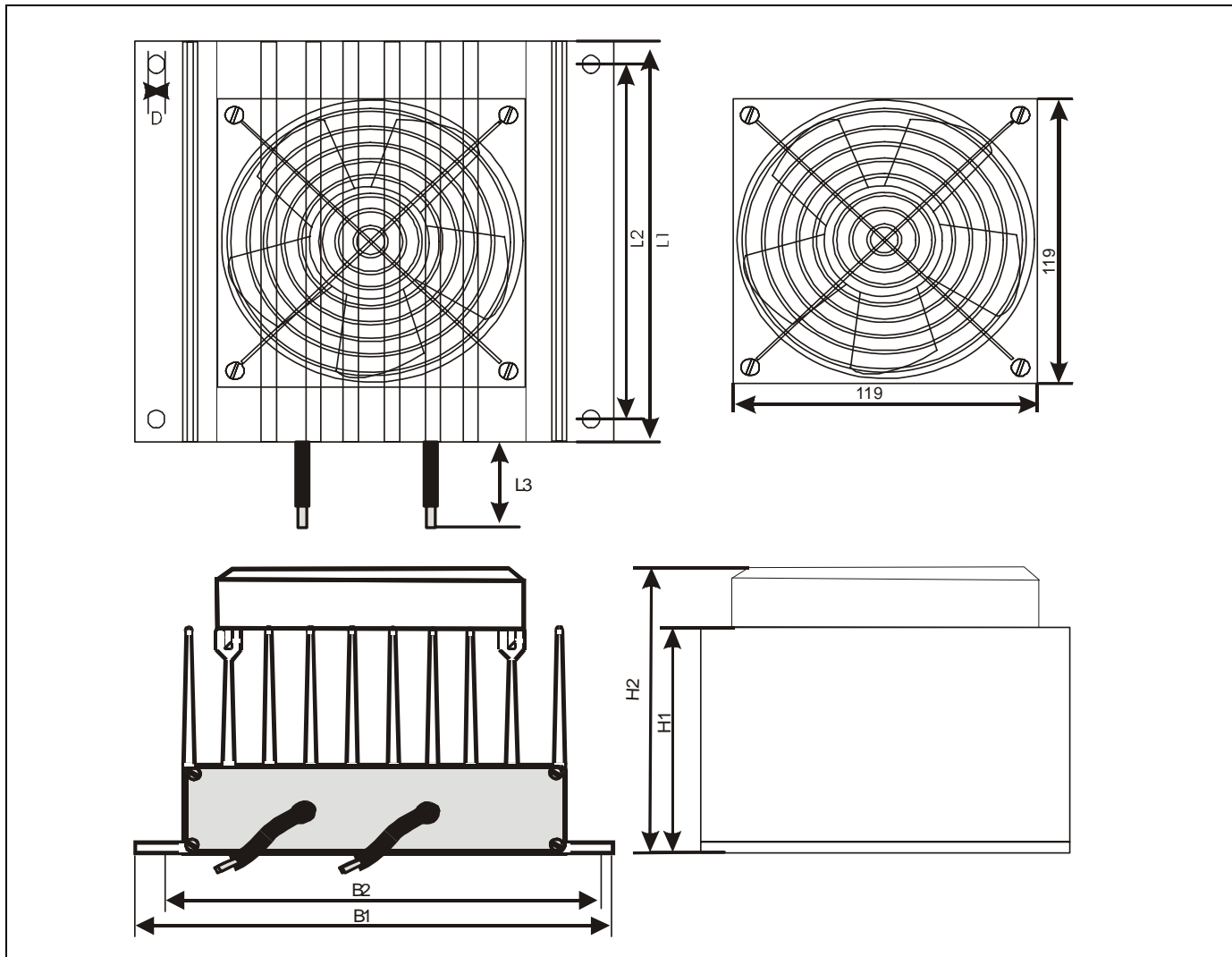
$$P_{max} = \frac{P * 100}{ED[\%]}$$

SD = Cycle time max 120 sec.

$$ED[\%] = \frac{ED[s]}{SD[s]} * 100$$

ED = Duty cycle

### Dimension Drawing



Type	B1	B2	H1 S	H2 FK	L1	L2	L3	D	Connection cable
	[mm]	[mm]	[mm]	[mm]	[mm]	[mm]	[mm]	[mm]	
BW 155 / 1000 /...	175	165	75	119	170	120	250	6,5	2 x AWG 14,UL 1659
BW 155 / 1200 /...	175	165	75	119	230	180	250	6,5	2 x AWG 14,UL 1659
BW 155 / 1500 /...	175	165	75	119	330	280	250	6,5	2 x AWG 14,UL 1659
BW 155 / 2000 /...	175	165	75	119	530	500	250	6,5	2 x AWG 14,UL 1659

**Custom mounting positions are available upon request**

In order to keep the protection rating IP 65 the surface temperature must not exceed 200 °C.