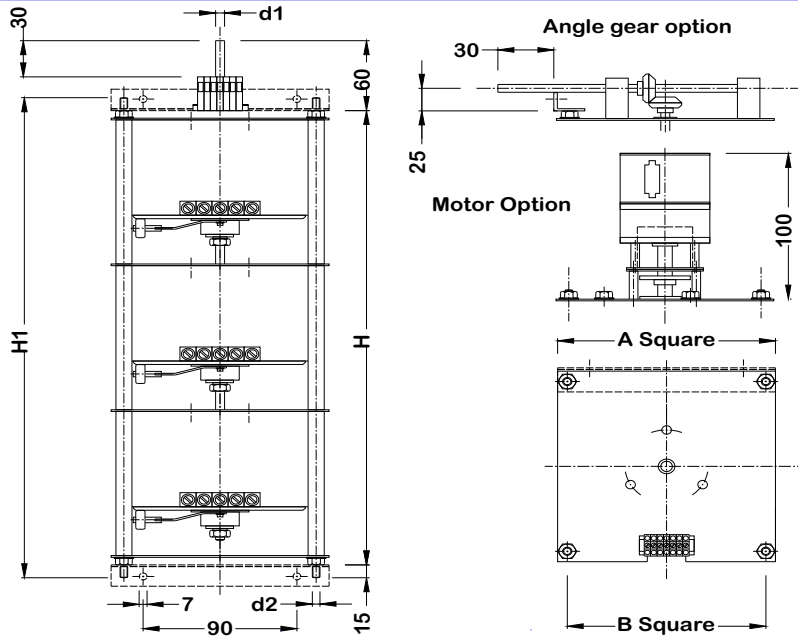




DRRTO/SpW/MoK/MoG 3-phase variable transformers

A range of three phase variable transformers providing up to 3 x 34A per phase on a 3 x 400V supply. The transformers are assembled on a supporting structure made from mounting plates, spacers and stud tie bars. All wiring is brought out to DIN rail terminals for ease of connection. Aluminium angle supports are available for mounting the assembly onto a back panel. These three phase units can be supplied with a straight spindle, or a bevel gear drive, or fully motorised, with cam-operated microswitches for adjusting end stop or intermediate signalling positions.

Input voltage: 3 x 400 V 50/60 Hz
 Output voltage: 0 - 400 V or 0 - 450 V
 Frequency range: 50 - 400 Hz
 Maximum ambient temperature: 40 °C
 Connection group: IO
 Standard setting times:
 AC motor 14 or 57 secs
 DC Motor 6 or 24 secs



Type	3 x 0 - 400 V		3 x 0 - 450 V		Dimensions						Weight [kg]						
	[3 x A]	[KVA]	[3 x A]	[KVA]	A	B	H	H1	d1	d2							
DM 3	0.8	0.55	0.6	0.47	150	134	330	360	6	M 6	5.5						
DM 4	1.0	0.69	0.85	0.66							7.0						
DM 5	1.6	1.11	1.2	0.93							8.5						
DM 6	2.5	1.72	2.0	1.56							10.5						
DM 61	3.2	2.2	2.8	2.19							11.5						
DM 7	4.0	2.76	3.0	2.34							14.5						
DM 8	6.0	4.14	4.5	3.5							20.5						
DM 9	8.0	5.52	6.0	4.68							180	160	182	490	10	M 10	26.5
DM 10	10	6.9	8.0	6.24	32.0												
DM 11	12	8.28	10	7.8	220	196	485	515	10	M 12							36
DM 12	15	10.35	12	9.36													40
DN 7	18	12.40	18	14	300	249	460	490	10	M 10	57						
DN 9	25	17.25	25	19.50							72						
DN 10	32	22.10	32	24.90							75						

REO-USA, Inc.

3250 North Post Road, Suite #132
 Indianapolis, IN 46226
 USA
 Phone (317) 899-1395
 Fax (317) 899-1396
 Website www.reo-usa.com