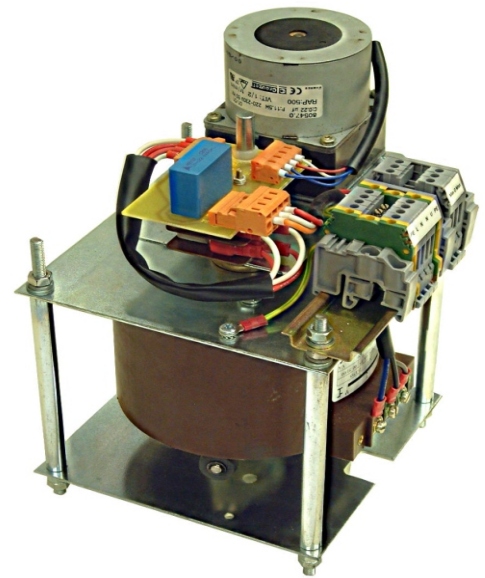
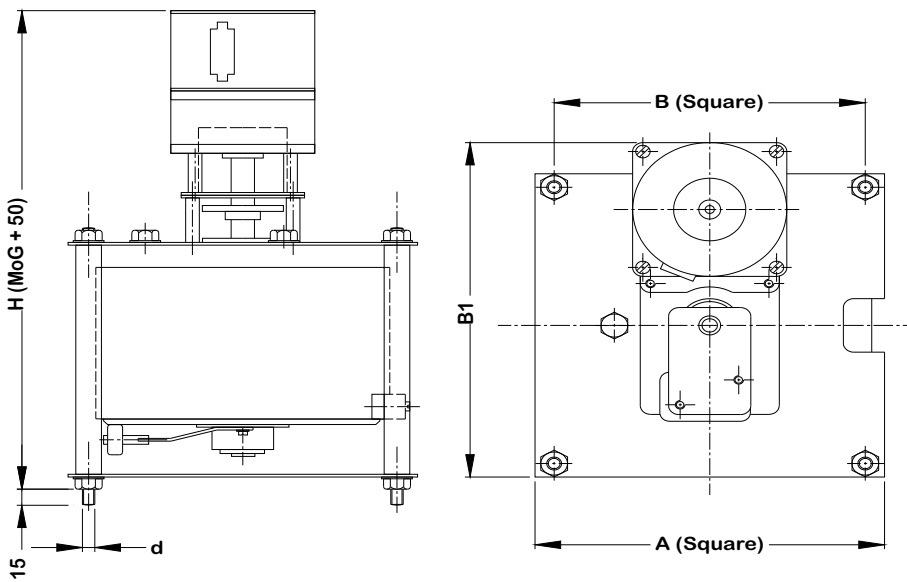




## RRTMoK & RRTMoG Single phase motorized transformers

Motorized variable transformers are available with 230 VAC reversing motors (RRTMoK) or 180-220 VDC motors (RRTMoG). Limit switches are fitted as standard and additional, adjustable, cam-operated microswitches can be supplied on request. All wiring is brought to a DIN rail terminal block for ease of connection. The mounting plates, spacers and locking studs are zinc plated. Various motor setting times are available.

Input voltage: 230V 50/60 Hz  
 Output voltage: 0 - 230 V or 0 - 260 V  
 Frequency range: 50 - 400 Hz  
 Maximum ambient temperature: 40 °C  
 Connection group: IO  
 Standard setting times:  
 AC motor 14 or 57 secs  
 DC Motor 6 or 24 secs



Type	0 - 230 V		0 - 260 V		Dimensions					Weight [kg]	Copper [kg]
	[A]	[KVA]	[A]	[kVA]	A	B	B1	H	d		
M 3	0.8	0.176	0.6	0.15	150	134	166	230	M 6	3.5	.035 / .025
M 4	1.0	0.22	0.85	0.21						4.1	.065 / .05
M 5	1.6	0.35	1.2	0.30						4.6	0.09 / 0.08
M 6	2.5	0.55	2.0	0.50				5.3		0.14 / 0.12	
M 61	3.2	0.70	2.8	0.70				5.6		0.14 / 0.12	
M 7	4.0	0.88	3.0	0.75				6.6		0.23 / 0.21	
M 8	6.0	1.32	4.5	1.125				8.6		0.45 / 0.4	
M 9	8.0	1.76	6.0	1.5	180	160	182	260	M 10	11.5	0.7 / 0.55
M 10	10	2.2	8.0	2.0						13	0.9 / 0.8
M 11	12	2.6	10	2.5	220	196	-	260	M 12	14.5	1.0 / 0.9
M 12	15	3.3	12	3.0						16	1.2 / 1.1
EN 7	18	3.96	18	4.5	300	249	-	280	M 10	22	1.9 / 1.9
EN 9	25	5.5	25	6.25						27	2.7 / 2.7
EN 10	32	7.04	32	8.0						28	3.3 / 3.3

### REO-USA, Inc.

3250 North Post Road, Suite #132  
 Indianapolis, IN 46226  
 USA  
 Phone (317) 899-1395  
 Fax (317) 899-1396  
 Web site [www.reo-usa.com](http://www.reo-usa.com)