



Type RZDO Open Style



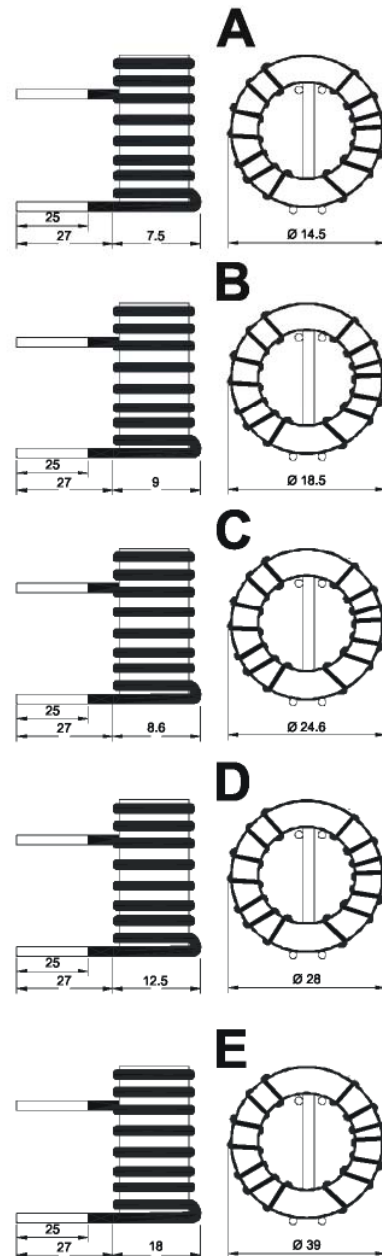
Toroidal Suppression Choke, available in 3 styles, open, low profile and small footprint. Manufactured using UL listed materials

Technical Data:-
 Rated Voltage: 250 V, AC
 Rated Current: 0.3 A - 10 A
 Inductance: 68mH - 1.8mH
 Frequency: 50 / 60 Hz

Custom Designs Available

Type	Dim	I _N A	L _N mH	L _s typical μH	R typical mΩ
RZDO-0.3/47	B	0.3	2 x 47 mH	760	1400
RZDO-0.4/27	A	0.4	2 x 27 mH	270	1000
RZDO-0.4/39	A	0.4	2 x 39mH	450	2600
RZDO-0.5/18	A	0.5	2 x 18mH	260	940
RZDO-0.5/27	B	0.5	2 x 27 mH	430	900
RZDO-0.5/56	C	0.5	2 x 56mH	870	2000
RZDO-0.5/82	D	0.5	2 x 82 mH	1000	1300
RZDO-0.7/10	A	0.7	2 x 10mH	90	360
RZDO-1/10	B	1	2 x 10mH	140	450
RZDO-1/27	C	1	2 x 27 mH	440	600
RZDO-1/33	D	1	2 x 33mH	420	640
RZDO-1/68	E	1	2 x 68mH	900	1000
RZDO-1.2/6.8	A	1.2	2 x 6.8mH	70	330
RZDO-1.4/27	D	1.4	2 x 27 mH	310	300
RZDO-1.5/3.3	A	1.5	2 x 3.3mH	37	100
RZDO-2/1	A	2	2 x 1.0mH	13	40
RZDO-2/18	E	2	2 x 18mH	230	230
RZDO-2/2.2	B	2	2 x 2.2mH	30	70
RZDO-2/5.6	C	2	2 x 5.6mH	80	160
RZDO-2/6.8	D	2	2 x 6.8mH	80	120
RZDO-2.6/0.4	A	2.6	2 x 0.4mH	6	60
RZDO-3/1.2	B	3	2 x 1.2mH	17	56
RZDO-3.6/0.4	A	3.6	2 x 0.4mH	6	15
RZDO-4/2.7	C	4	2 x 2.7mH	30	45
RZDO-4/3.3	D	4	2 x 3.3mH	40	40
RZDO-4/6.8	E	4	2 x 6.8mH	80	60
RZDO-6/3.9	E	6	2 x 3.9mH	45	38
RZDO-8/2.7	E	8	2 x 2.7mH	30	22
RZDO-10/1.8	E	10	2 x 1.8mH	20	14

Dimensions



REO-USA, Inc.

3250 North Post Road, Suite 132

Indianapolis, IN 46226

USA

Phone (317) 899-1395 Fax (317) 899-1396