



REO Rotary Potentiometers offer fine adjustment of voltage and current in a number of applications, especially where the use of sophisticated control electronics is not desirable for example in arduous environments.

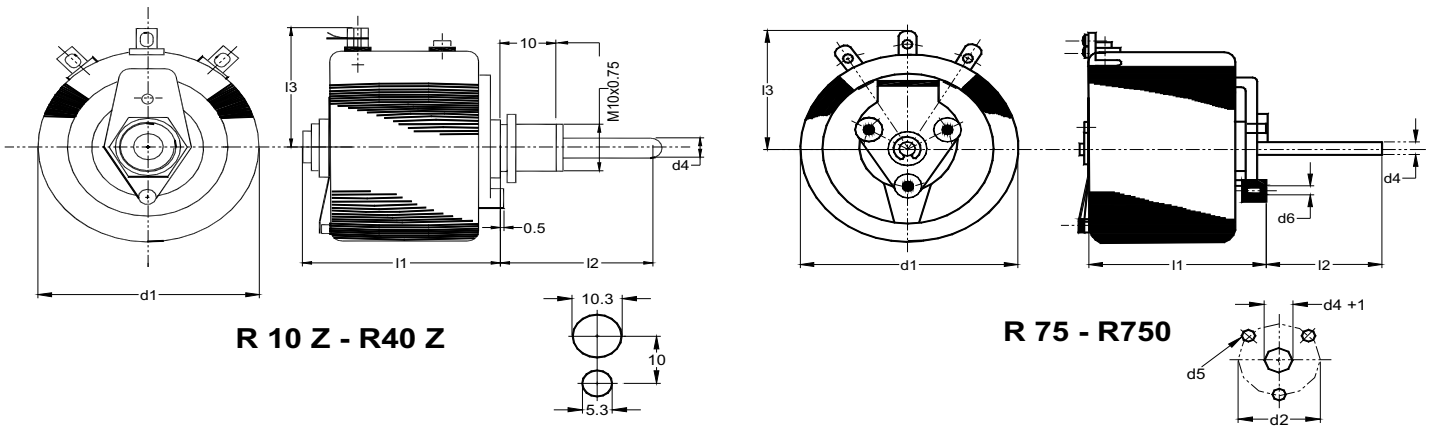
- Power range 16W to 750W
- Resistive Tolerance +/-10% (+/-5%)
- Higher powers achievable using dual and triple gang units
- Graded or stepped windings optional
- Available with integral microswitches
- Motor drives available - contact us for options



**Specification**

Type	Max Power (W)	Resistance Range (Ohms)	Dimensions (mm)							Angle of Rotation		Connections		
			d1	d2	d4	d5	d6	l1	l2	l3	kg		Across Winding	Mechanical
R10 Z	16	1 - 22000	32	-	6	-	-	26	32	26	0.05	260°	280°	Solder Lugs
R 20 Z	35	0.82 - 33000	44	-	6	-	-	36		26	0.1			
R 40 Z	50	0.82 - 56000	55	-	6	-	-	40		30	0.14	280°	300°	
R 75	100	0.68 - 56000	72	30	6	4.2	M4	58		45	0.3			
R 100	125	0.68 - 56000	88	36	8	4.2	M4	70		53	0.5	286°		M5 Nuts & Bolts
R 150	180	1 - 56000	88	36	8	4.2	M4	90		53	0.8			
R 250	300	1 - 56000	146	60	8	4.2	M4	80		82	1.5	290°		
R 375	450	1 - 56000	146	60	8	4.2	M4	100		92	1.7			
R 500	600	1.2 - 56000	200	80	8	5.3	M5	102		110	2.7			
R 750	900	1.8 - 56000	200	80	8	5.3	M5	142		110	4.0			

**Dimensions & Fixing Detail**



**REO-USA, Inc.**

3250 North Post Road, Suite #132  
Indianapolis, IN 46226  
USA  
Phone (317) 899-1395  
Fax (317) 899-1396  
www.reo-usa.com