

**Three-phase mains filters (4 lines)
High Attenuation (3 A - 150 A)**

**Series CNW 100
Type CNW 105**

Applications:

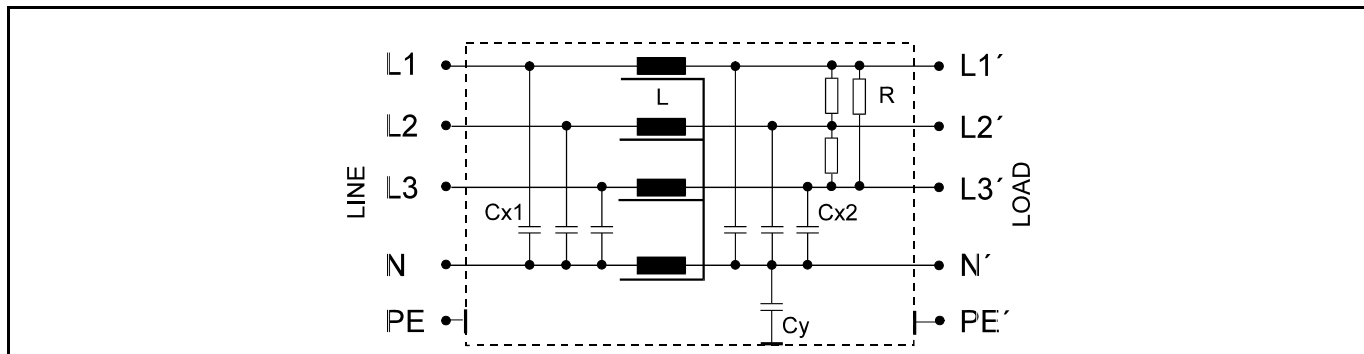
Controlled three phase drives with frequency inverter.

- **Packing machines**
- **Automatic production machines**
- **Cranes**
- **Pumping apparatus**



conforming to VDE 0565-3/ IEC 950/ UL 1283	Test voltage L-L 2100 V, DC 1 s L-PE 2700 V, DC 1s
Overload 1.5 x rated current 1 min / h	Climatic rating DIN IEC 68 Teil 1 25/085/21

Circuit example



Benefits:

- | | | |
|--------------------------------------------------------------------------------------------------------------------------------------------------------------------------------------------|--------------------------------------------------------------------------------------------------------------------------------------------------------------------------------------------|-----------------------------------------------------------------------------------------------------------------------------------------------------------------|
| <ul style="list-style-type: none"> • Compact design • Reduced weight • Easy installation • Reduced losses • Mechanical stress reduction | <ul style="list-style-type: none"> • Low heating • low noise • simple connection • Temperature reduction • Reduced harmonic distortions | <ul style="list-style-type: none"> • Improved power factor • Reduces tripping • Semiconductor life extended • CE Mark |
|--------------------------------------------------------------------------------------------------------------------------------------------------------------------------------------------|--------------------------------------------------------------------------------------------------------------------------------------------------------------------------------------------|-----------------------------------------------------------------------------------------------------------------------------------------------------------------|

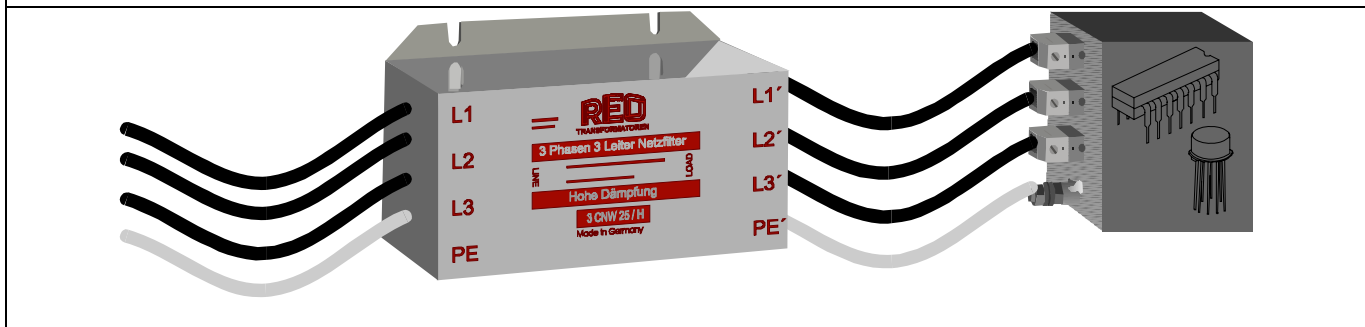
Technical data

Type	Rated voltage [V]	Rated current [A]	Leakage current [mA]	ΣCx [μF]	ΣCy [nF]	L [mH]	R [k Ω]
CNW 105/3	3 x 440	4 x 3	<3.5	3	20	4 x 4.0	660
CNW 105/6		4 x 6	<3.5	3	20	4 x 2.4	660
CNW 105/10		4 x 10	<3.5	3	20	4 x 1.0	660
CNW 105/16		4 x 16	<7	6	44	4 x 2.0	660
CNW 105/25		4 x 25	<7	6	44	4 x 1.5	660
CNW 105/36		4 x 36	<7	9	44	4 x 1.1	660
CNW 105/50		4 x 50	<7	9	44	4 x 0.6	660
CNW 105/80		4 x 80	<14	12	88	4 x 0.5	660
CNW 105/120		4 x 120	<14	12	88	4 x 0.25	660
CNW 105/150		4 x 150	<14	12	88	4 x 0.2	660

Frequency: 50/60 Hz

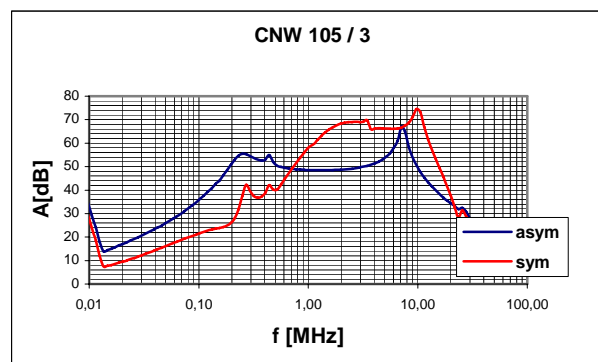
Special connections

For space and for assembly reasons it may be reasonable to use connections other than terminals, such as free leads. If the filter is always fitted in the same place, REO can build your filter with various connection types.



Example of Insertion loss

Other insertion losses on request

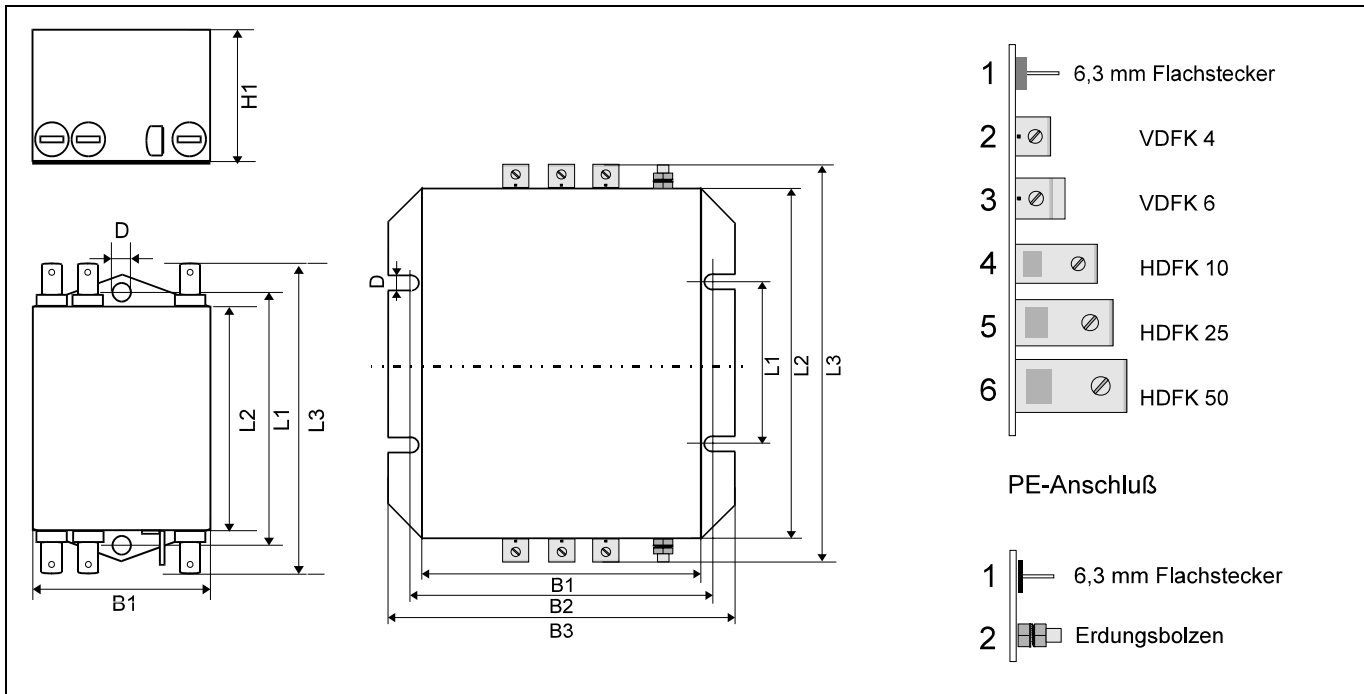


Per CISPR 17

Blue graph 50 Ω /50 Ω asym.

Red graph 50 Ω /50 Ω sym.

Dimension Drawing



Type	Dimensions								Casing	Connection	PE-Connection
	B1 [mm]	B2 [mm]	B3 [mm]	D [mm]	H1 [mm]	L1 [mm]	L2 [mm]	L3 [mm]			
CNW 105/3	53	---	---	5	40	100	90	118	A	1	1
CNW 105/6	53	---	---	5	40	100	90	118	A	1	1
CNW 105/10	53	---	---	5	40	100	90	118	A	1	1
CNW 105/16	70	86	98	5.2	70	90	150	170	B	1	2 (M5)
CNW 105/25	70	86	98	5.2	70	90	150	170	B	2	2 (M5)
CNW 105/36	120	130	148	6.2	70	160	240	290	B	4	2 (M5)
CNW 105/50	120	130	148	6.2	70	160	240	290	B	5	2 (M6)
CNW 105/80	140	150	168	6.2	110	160	240	320	B	5	2 (M8)
CNW 105/120	140	150	168	6.2	110	160	240	320	B	6	2 (M12)
CNW 105/150	140	150	168	6.2	110	160	240	320	B	6	2 (M12)