

Three-phase mains filters (3 connections) with Very High Attenuation, book style (7 A - 180 A)

Series CNW 200
Type CNW 204/...

Applications:

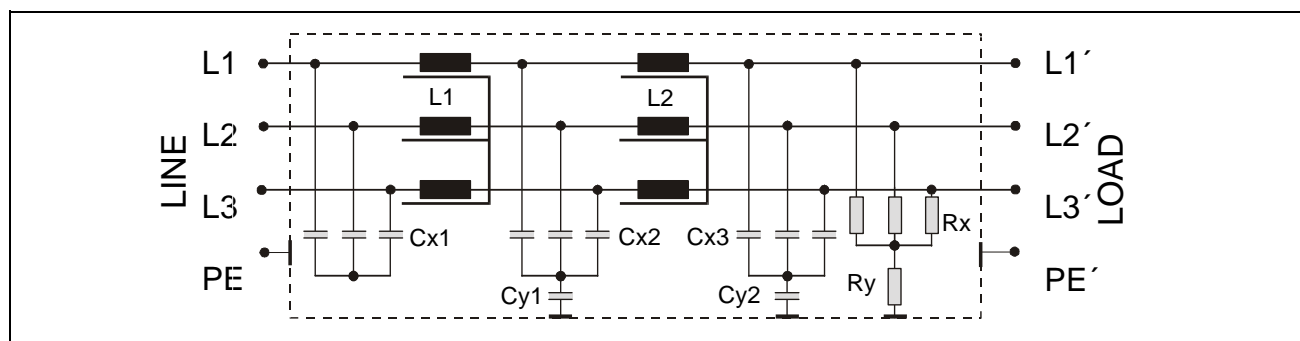
Controlled three phase drives with frequency inverter.

- Packing machines
- Automatic production machines
- Railways
- Cranes
- Pumping apparatus
- Wind power and solar energy plants



Conforming to VDE 0565-3/ IEC 950/ UL 1283	Test voltage L-L 2100 V, DC 1 s L-PE 2700 V, DC 1s
Overload 1.5 x rated current 1 min / h	Climatic rating DIN IEC 60068-1

Circuit example



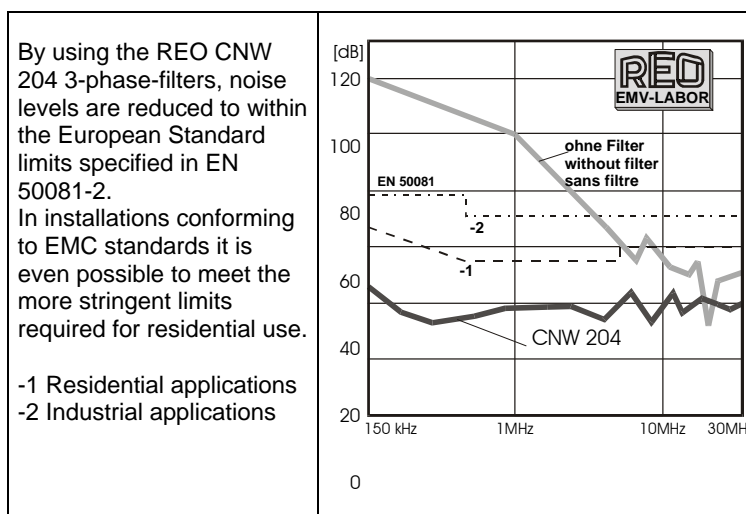
Benefits:

- | | | |
|--|--|---|
| <ul style="list-style-type: none"> • Compact design • Reduced weight • Easy installation • Reduced losses • Mechanical stress reduction | <ul style="list-style-type: none"> • Low heating • low noise • simple connection • Temperature reduction • Reduced harmonic distortions | <ul style="list-style-type: none"> • Improved power factor • Reduces tripping • Semiconductor life extended • CE Mark |
|--|--|---|

Technical data

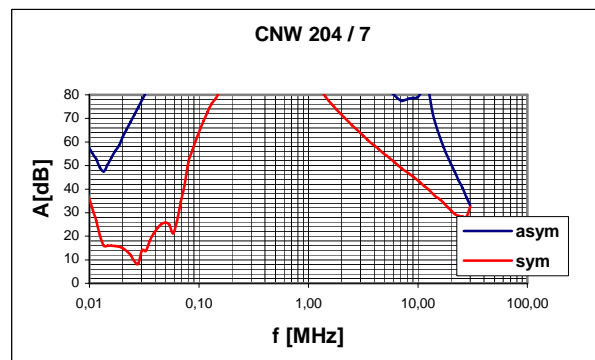
Type	Rated voltage [V]	Rated current [A]	Leakage current [mA]	ΣL [mH]	ΣCx [μF]	ΣCy [μF]	Rx [k]	Ry [k]
CNW 204/7	3 x 480	7	<30	4.6	4	2	470	330
CNW 204/16		16	<30	3.2	5	2	470	330
CNW 204/30		30	<30	1.9	6	2	470	330
CNW 204/42		42	<30	1.6	6	2	470	330
CNW 204/55		55	<30	1.05	6	2	470	330
CNW 204/75		75	<30	0.9	6	2	470	330
CNW 204/100		100	<30	0.8	6	2	470	330
CNW 204/130		130	<35	0.6	8	2	470	330
CNW 204/180		180	<35	0.13	8	2	470	330

Frequency: 50/60 Hz



Example of Insertion loss

Other insertion losses on request

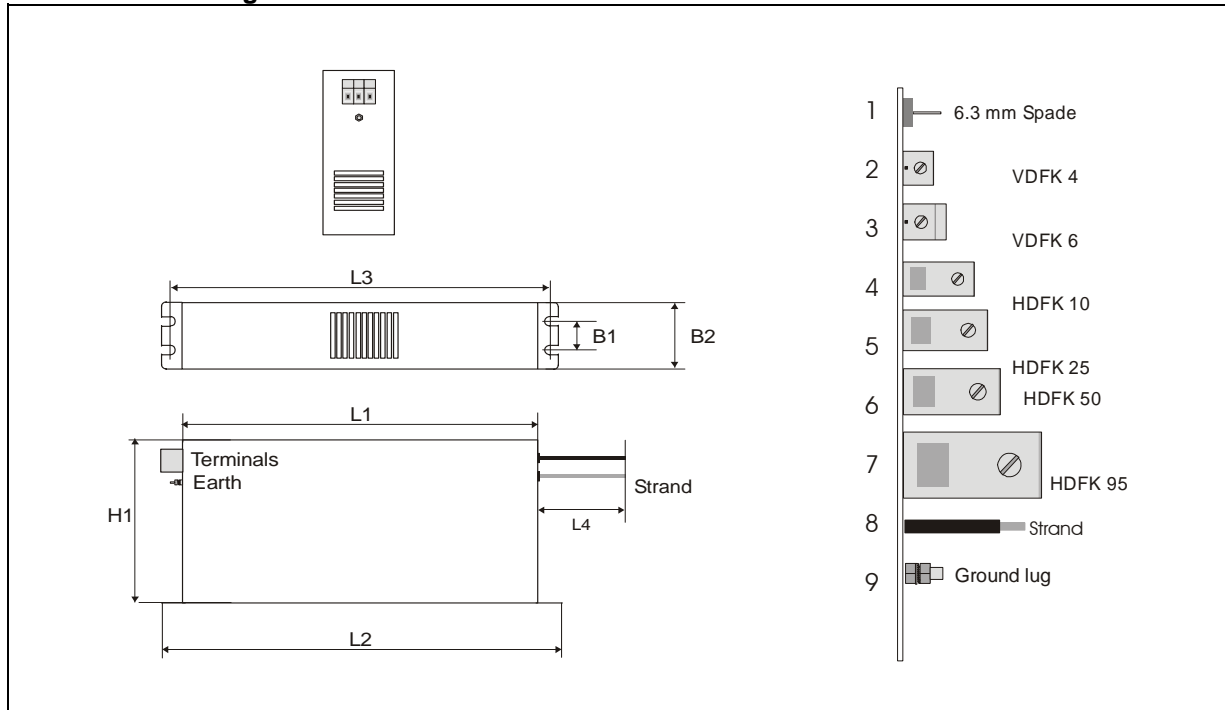


Per CISPR 17

Blue graph 50Ω/50Ω asym.

Red graph 50Ω/50Ω sym.

Dimension Drawing



Type	Dimensions							Connections		
	L1 [mm]	L2 [mm]	L3 [mm]	L4 [mm]	B1 [mm]	B2 [mm]	H1 [mm]	Input	Output optional	
CNW 204/7	225	255	240	300	25	50	126	2	8 (1,5 mm ²)	2
CNW 204/16	275	305	290	300	30	55	142	2	8 (1,5 mm ²)	2
CNW 204/30	305	335	320	400	35	60	150	3	8 (4 mm ²)	3
CNW 204/42	300	330	314	500	45	70	185	4	8 (10 mm ²)	4
CNW 204/55	300	330	314	500	55	80	185	5	8 (16 mm ²)	5
CNW 204/75	300	330	314	---	55	80	220	5	---	5
CNW 204/100	350	380	364	---	65	90	220	6	---	6
CNW 204/130	400	440	414	---	80	110	240	6	---	6
CNW 204/180	400	440	413	---	80	110	240	7	---	7