

CNW 901

Single-phase mains choke 4%



Unique Selling Point

- Compact design
- Extended life-time of electrical consumers
- Low temperature rise
- Attenuation of current spikes of up to 60%
- Reduction of the input current up to 20%
- Low noise
- Production according to UL insulation system E251513 possible

Description

Power Noise Reduction - save up to 20% energy costs. A mains choker relieved the supply network by compensating the harmonics reactive power. The harmonics and commutation notches are reduced much. By using a mains choke the inverter electronics and DC-capacitors will be protected.

Starting currents and current peaks are reduced up to 60%. Mains chokes help to comply with international power quality standards IEEE 519 or EN 61000-3-2.

- Rated voltage: $U \leq 250$ V
- Short circuit: U_k 4% (230VAC/50Hz, I_{Nnomin})
- Frequency: 50/60 Hz
- According to: EN 60289 / EN 61558
- Test voltage: L-PE 2,500 V, DC 1min
- Insulation class: T40/F
- Protection rating: IP00
- Climatic Category: DIN IEC 60068-1
- Overload: 1.5 x I_{Nnomin} 1 min / h
- Design: mounted on foot print

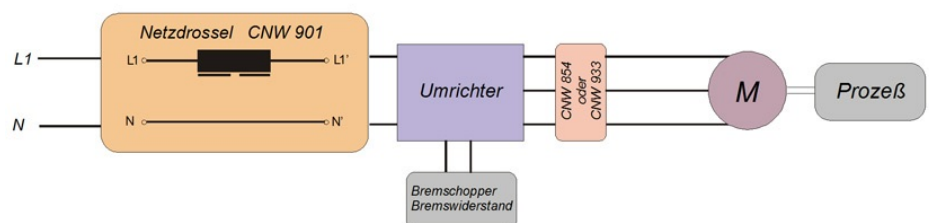
Typical Applications

- Drive systems for motor drives:
 - Mechanical engineering pump
 - Conveyor technology
 - Ventilation and air conditioning
 - Robotics
- Automation technology
 - Power supplies

Technical Data

- Nominal Voltage : 250 V
- Rated current : 2 - 100 A
- Inductance : 0.29 - 14.5 mH

Circuit



CNW 901

Single-phase mains choke 4%

Technical data

Type	Rated voltage/ frequency [V]	Rated current [A]	Rated inductance [mH]	Copper [kg]	Weight [kg]
CNW 901 / 2	250 50/60 Hz	2	14.5	0.2	0.6
CNW 901 / 4		4	7.3	0.2	0.6
CNW 901 / 6		6	4.8	0.2	0.6
CNW 901 / 8		8	3.6	0.25	0.8
CNW 901 / 10		10	2.9	0.3	1.1
CNW 901 / 16		16	1.8	0.4	1.4
CNW 901 / 20		20	1.5	0.5	2.0
CNW 901 / 25		25	1.1	0.55	2.0
CNW 901 / 30		30	0.95	0.65	2.0
CNW 901 / 35		35	0.84	0.8	3.1
CNW 901 / 40		40	0.73	0.9	3.9
CNW 901 / 45		45	0.65	1.0	3.9
CNW 901 / 50		50	0.57	1.3	4.6
CNW 901 / 63		63	0.5	1.3	5.5
CNW 901 / 75		75	0.4	1.6	7.1
CNW 901 / 100		100	0.29	2.4	8.3

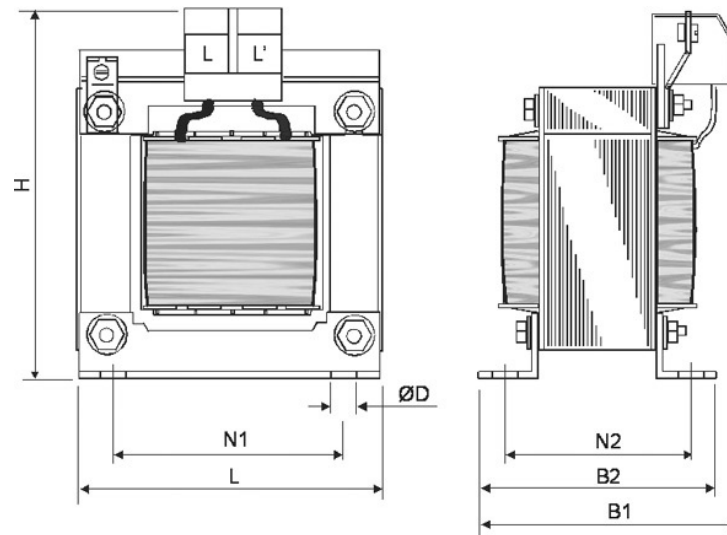
Higher power ratings on request

For Europe	For USA
Frequency: 50 Hz	Frequency: 60 Hz
Short circuit voltage Uk: 4% (by 400V)	Short circuit voltage Uk: 9.6% (by 200V)
Voltage drop: 9.23 V/branch	Voltage drop: 11.05 V/branch

CNW 901

Single-phase mains choke 4%

Dimensions drawing



Dimensions

Type	L [mm]	B1 [mm]	B2 [mm]	H [mm]	N1 [mm]	N2 [mm]	ØD [mm]	Terminals [mm]
CNW 901/2	60	65	48	65	44	38	3.6x7.0	2.5
CNW 901/4	60	70	49	66	44	38	3.6x7.0	2.5
CNW 901/6	60	65	47	70	44	38	3.6x7.0	2.5
CNW 901/8	60	70	59	66	44	47	3.6x7.0	2.5
CNW 901/10	66	80	72	78	50	56	4.8x9.0	2.5
CNW 901/16	78	80	60	80	57	46	4.8x9.0	4.0
CNW 901/20	85	90	75	85	64	62.5	4.8x9.0	4.0
CNW 901/25	85	85	76	95	64	62.5	4.8x9.0	4.0
CNW 901/30	85	100	75	95	64	59	4.8x9.0	10.0
CNW 901/35	96	100	88	140	84	72	5.8x11.0	10.0
CNW 901/40	96	103	102	145	84	85	5.8x11.0	10.0
CNW 901/45	96	103	102	150	84	85	5.8x11.0	10.0
CNW 901/50	105	115	103	155	84	87	5.8x11.0	10.0
CNW 901/63	120	130	101	180	90	85	5.8x11.0	35
CNW 901/75	120	150	120	180	90	104	5.8x11.0	35
CNW 901/100	150	130	106	205	122	86	7.0x13.0	35